

The DM-1100 is a multi-purpose microphone featuring high intelligibility.

---



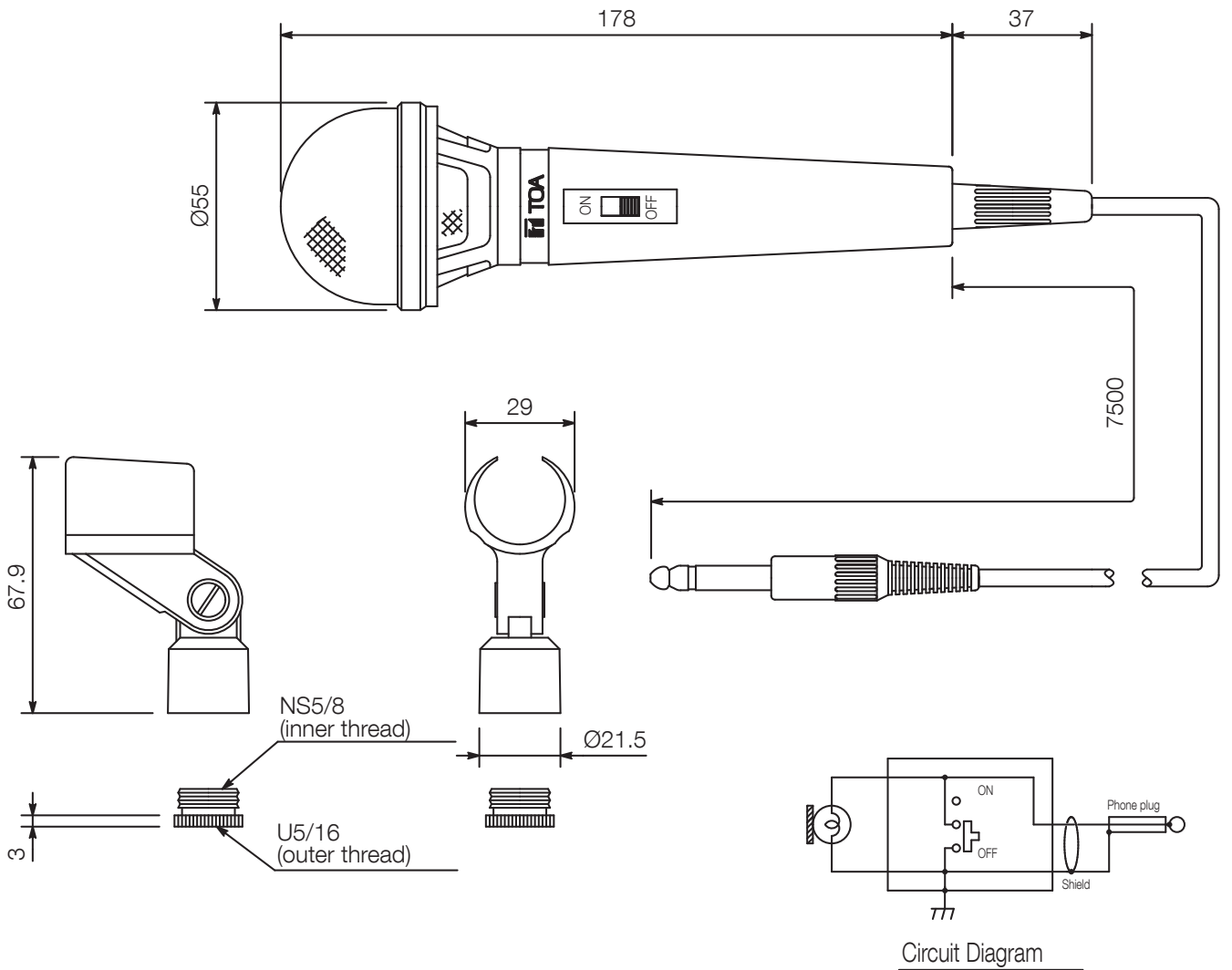
Article number:DM-1100 EU

---

## Specifications

Controls	Talk switch: Short-off type, slide on/off switch
Frequency response	100 Hz - 12 kHz
Connection	Phone plug on cable
Rated impedance	600 Ω
Controls	Talk switch: Short-off type, slide on/off switch
Frequency response	100 Hz - 12 kHz
Microphone type	Dynamic microphone
Directivity	Unidirectional
Sensitivity	-55 dB (1 kHz 0 dB = 1 V/Pa)
Connection	Phone plug on cable
Rated impedance	600 Ω
Finish	Aluminium, die-cast, paint, black,

Appearance



UNIT:mm SCALE:1/2