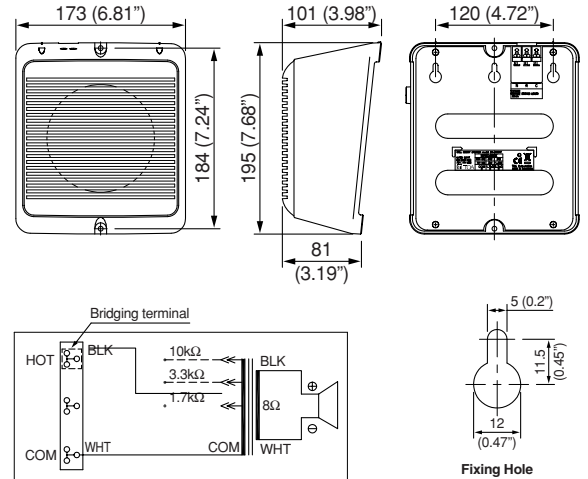


BS-633A/633AT Wall Mount Speaker System



APPEARANCE AND DIMENSIONAL DIAGRAM

BS-633A

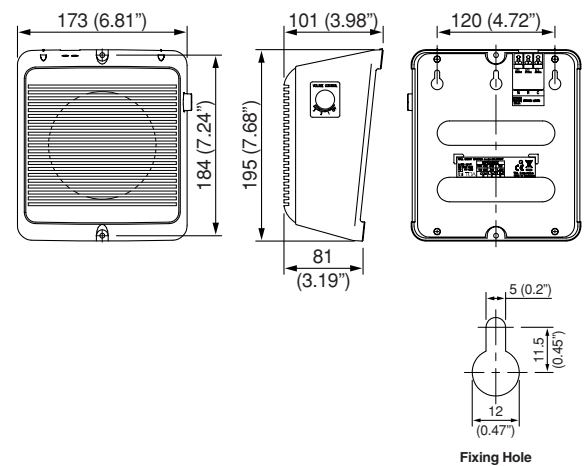


(Transformer connection when the speaker is supplied from the factory)
(Note) Use transformer terminals when changing input impedance.

DESCRIPTION

The BS-633A/AT are wall-mount 5" (12cm) cone-type speakers with a compact and unobtrusive enclosure of ABS resin. Installation is quick and easy, and the speakers can be hook-mounted or mounted directly onto a wall. A push-type input terminal allows easy cable connections and bridge wiring. Input impedance can easily be adjusted by changing the tap position of the transformer. The BS-633AT comes with a built-in attenuator and can be connected to 2-wire and 3-wire systems. The speakers are highly cost-effective and well-suited for BGM and announcement applications.

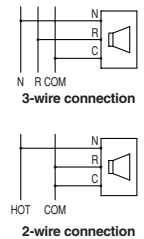
BS-633AT



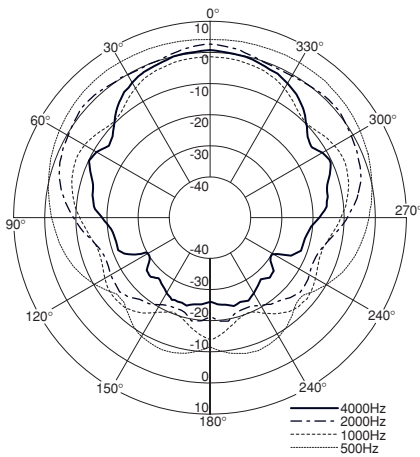
(Transformer connection when the speaker is supplied from the factory)
(Note) Use transformer terminals when changing input impedance.

FEATURES

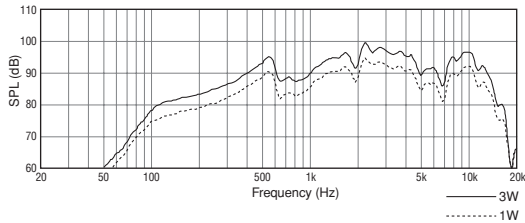
- Compact and unobtrusive design
- Quick and easy installation
- High cost-effectiveness
- Ideally suited for BGM and announcements



Polar Response



SPL vs. Frequency



SPECIFICATIONS

BS-633A

Rated Input:	6W (100V line), 3W (70V line)
Rated Impedance:	100V line: 1.7kΩ (6W), 3.3kΩ (3W), 10kΩ (1W) 70V line: 1.7kΩ (3W), 3.3kΩ (1.5W), 10kΩ (0.5W)
Sensitivity (1W, 1m):	91dB
Frequency Response:	120 – 15,000Hz (–20dB)
Speaker Component:	5" (12cm) cone-type
Applicable Cable:	600V vinyl-insulated cable (1V wire or HIV wire) Solid copper wire: ø0.8 – ø1.6mm (equivalent to AWG 20 – 14) 7-core twisted copper wire: 0.75 – 1.25mm ² (equivalent to AWG 18 – 16)
Connetion:	Push-in connector (bridging terminal)
Operating Temperature:	–10°C to 50°C (14°F to 122°F)
Finish:	Case: ABS resin, off-white Rear bord: Hard board
Dimensions:	173 (W) × 195 (H) × 101 (D) mm (6.81" × 7.68" × 3.98")
Wall Mounting Dimensions:	Case front mount: 184mm (7.24") Fixing hole mount: 120mm (4.72")
Weight:	780g (1.72 lb)
Accessory:	Speaker mounting screw (4 × 35 (0.16" × 1.38")) × 2, Speaker mounting screw (4 × 16 (0.16" × 0.63")) × 2

BS-330AT

Rated Input:	6W (100V line), 3W (70V line)
Rated Impedance:	100V line: 1.7kΩ (6W), 3.3kΩ (3W) 70V line: 1.7kΩ (3W), 3.3kΩ (1.5W)
Sensitivity (1W, 1m):	91dB
Frequency Response:	120 – 15,000Hz (–20dB)
Speaker Component:	5" (12cm) cone-type
Applicable Cable:	600V vinyl-insulated cable (1V wire or HIV wire) Solid copper wire: ø0.8 – ø1.6mm (equivalent to AWG 20 – 14) 7-core twisted copper wire: 0.75 – 1.25mm ² (equivalent to AWG 18 – 16)
Connetion:	Push-in connector (bridging terminal)
Attenuation Level:	3W: OFF, 1 (–12dB), 2 (–6dB), 3 (0dB) 6W: OFF, 1 (–13dB), 2 (–7dB), 3 (0dB)
Operating Temperature:	–10°C to 50°C (14°F to 122°F)
Finish:	Case: ABS resin, off-white Rear bord: Hard board
Dimensions:	173 (W) × 195 (H) × 101 (D) mm (6.81" × 7.68" × 3.98") (excluding volume control)
Wall Mounting Dimensions:	Case front mount: 184mm (7.24") Fixing hole mount: 120mm (4.72")
Weight:	810g (1.79 lb)
Accessory:	Speaker mounting screw (4 × 35 (0.16" × 1.38")) × 2, Speaker mounting screw (4 × 16 (0.16" × 0.63")) × 2

Architect's and Engineer's Specifications

BS-633A

The speaker shall be a 5" (12cm) cone-type speaker suitable for wall mounting. Cable connection shall be by means of a push-in connector (bridging terminal).

The speaker shall include a transformer having multiple taps (1W, 3W, 6W at 100V and 0.5W, 1.5W, 3W at 70V) adjustable. The output sound pressure level at a distance of 1m with a 1W input level applied shall be 91 dB SPL. The speaker shall have a frequency response of 120 – 15,000Hz (–20dB).

The speaker enclosure shall be constructed of ABS resin. The speaker shall be available in off-white colour. The unit shall have dimensions of 173 (W) × 195 (H) × 101 (D) mm (6.81" × 7.68" × 3.98"), and a weight of 780g (1.72 lb).

The speaker shall be a TOA model BS-633A.

BS-633AT

The speaker shall be a 5" (12cm) cone-type speaker suitable for wall mounting. Cable connection shall be by means of a push-in connector (bridging terminal).

The speaker shall include a transformer having multiple taps (3W, 6W at 100V and 1.5W, 3W at 70V) adjustable. The output sound pressure level at a distance of 1m with a 1W input level applied shall be 91 dB SPL. The speaker shall have a frequency response of 120 – 15,000Hz (–20dB). The speaker shall have a built-in attenuator, enabling it to be connected to a 2-wire and a 3-wire system.

The speaker enclosure shall be constructed of ABS resin. The speaker shall be available in off-white colour. The unit shall have dimensions of 173 (W) × 195 (H) × 101 (D) mm (6.81" × 7.68" × 3.98") (excluding volume control) and a weight of 810 g (1.79 lb).

The speaker shall be a TOA model BS-633AT.



TOA Corporation

www.toa.jp

Specifications are subject to change without notice.
Printed in Japan (0708) 833-52-382-60 u