

DP 4EN

UNIDIRECTIONAL SOUND PROJECTOR

DESCRIPTION

DP 4EN is a unidirectional sound projector featuring an elegant aesthetic and easy orientation, suitable for the sonorization of commercial and industrial environments where a good sound quality and high intelligibility and efficiency are required. It features a cylindrical plastic body with aluminium grille and U-bracket support. Thanks to its IP55 protection grade, it can be installed both indoor and outdoor.



FEATURES

- 4" fullrange transducer.
- Power selectable (100 V): 10 W - 5 W - 2.5 W.
- 91 dB sensitivity.
- Colour grey RAL 7035.
- Flameproof ABS body, aluminium grille and bracket.
- In/out ceramic terminal block.
- Thermal fuse protection.
- Protection grade IP55.

TECHNICAL SPECIFICATIONS

Acoustical specifications	Frequency Response (-10dB):	180 Hz ÷ 16000 Hz
	Max SPL @ 1m:	101 dB
	Max SPL @ 4m:	89 dB
	Coverage angle:	180°
	System Sensitivity:	91 dB
	System Sensitivity 1W @ 4m:	79 dB
Power section	Power Handling:	10 W
	Peak Power Handling:	40 W PEAK
	Recommended Amplifier:	20 W
	Protections:	Thermal fuse
Transducers	Fullrange:	4.0"
Input/Output section	Input connectors:	Ceramic screw terminals
	Output connectors:	Ceramic screw terminals
	Constant Voltage Transformer:	100 V
	Power selection 1:	10 W - 1000 ohm
	Power selection 2:	5 W - 2000 ohm
	Power selection 3:	2.5 W - 4000 ohm
Standard compliance	IP protection grade:	IP 55
	EN54-24 certified:	Yes
	CE compliance:	Yes
	CPR number:	0068-CPR-085/2017
Physical specifications	Cabinet/Case Material:	ABS
	Grille:	Aluminium
	Color:	Grey - RAL 7035
Size	Depth:	200 mm / 7.87 inches
	Diameter:	137 mm / 5.39 inches
	Weight:	1.3 kg / 2.87 lbs
Shipping informations	Package Height:	290 mm / 11.42 inches
	Package Width:	190 mm / 7.48 inches
	Package Depth:	160 mm / 6.3 inches
	Package Weight:	1.3 kg / 2.87 lbs

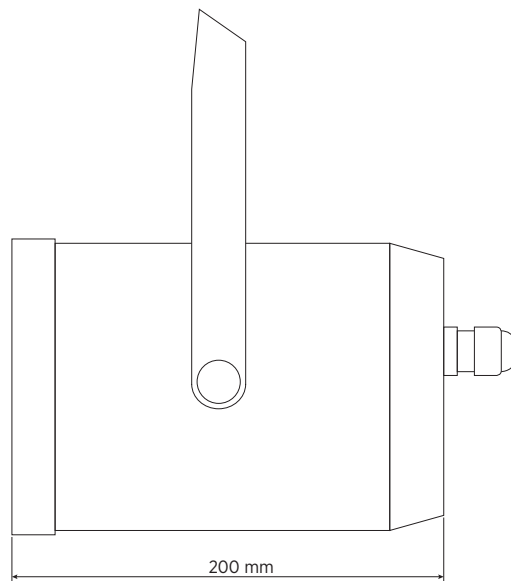
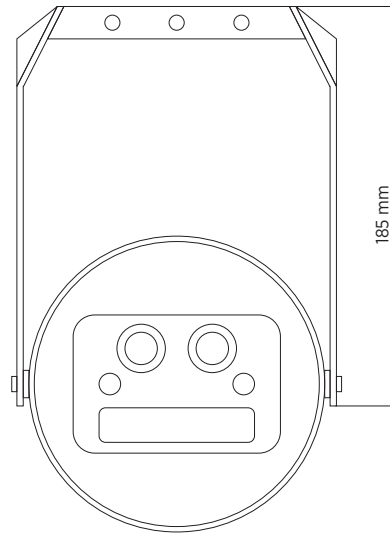
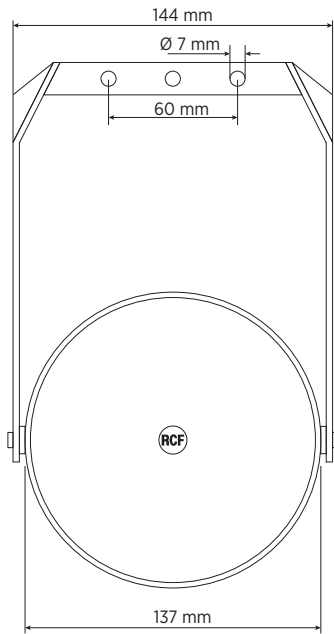
PART NUMBER

- **13100021**

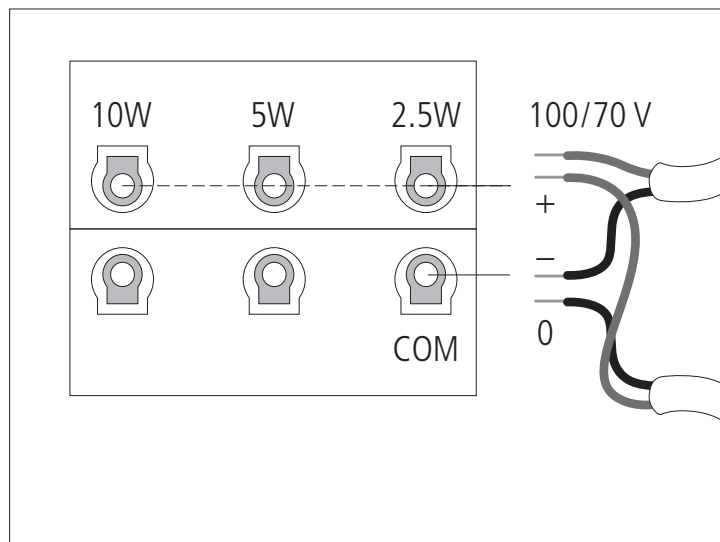
DP 4EN

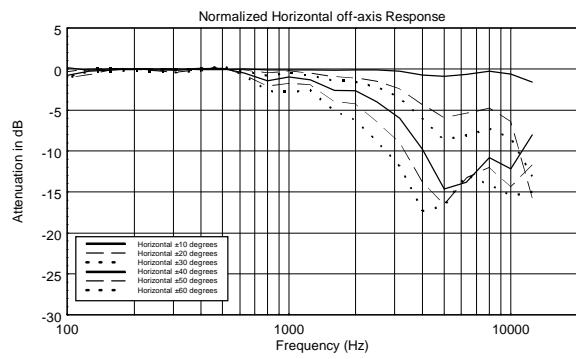
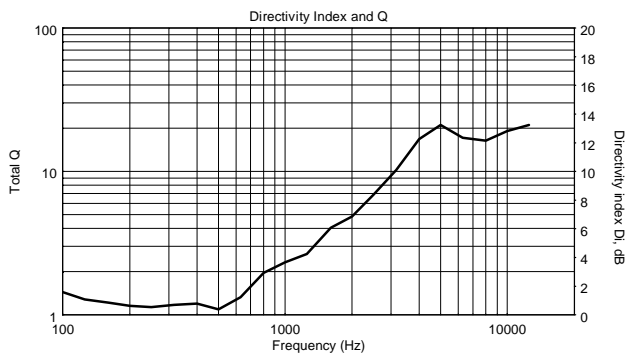
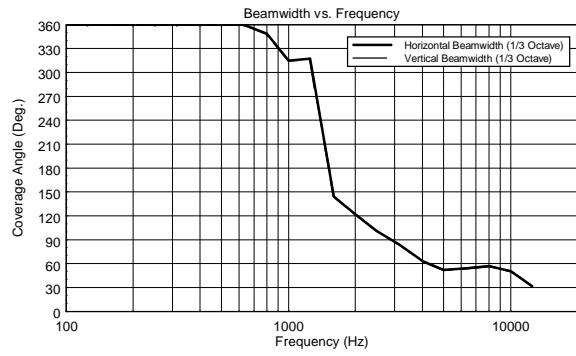
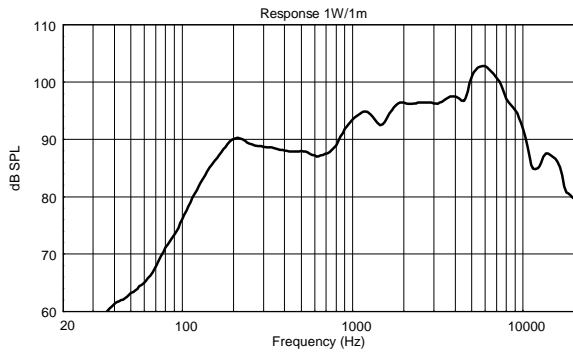
EAN 8024530014766

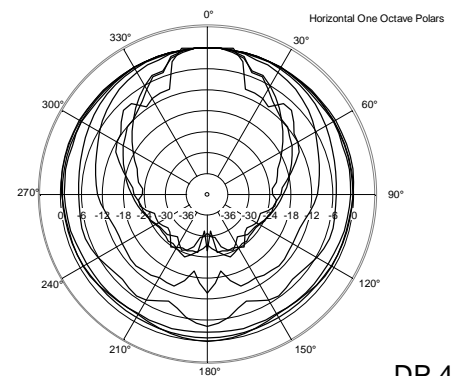
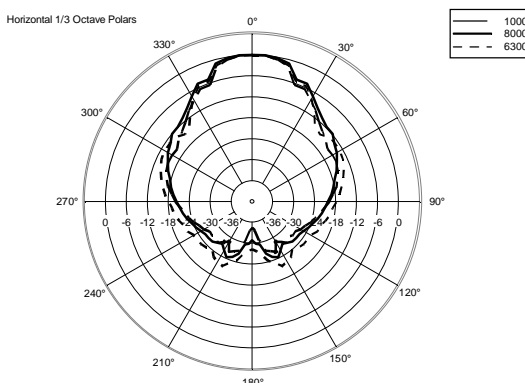
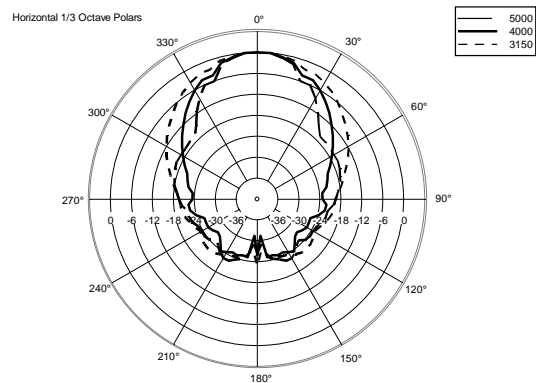
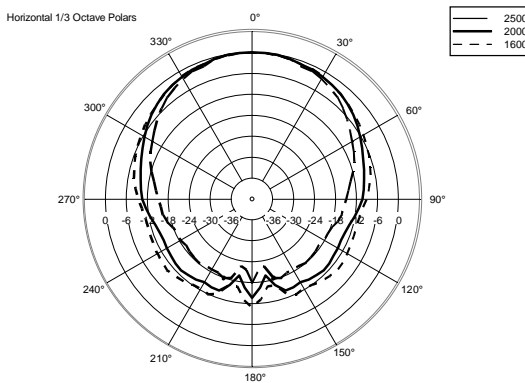
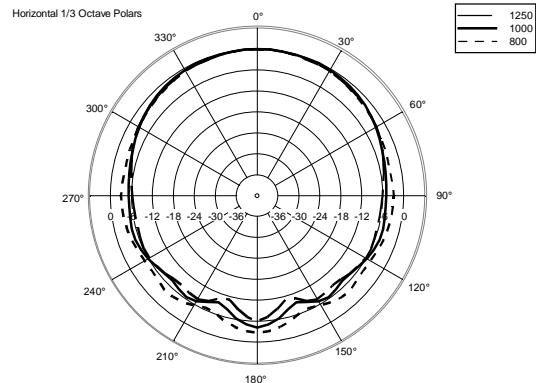
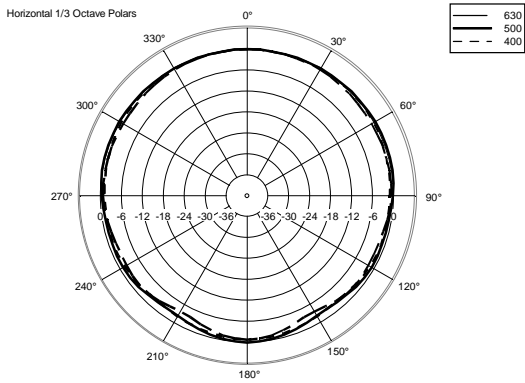
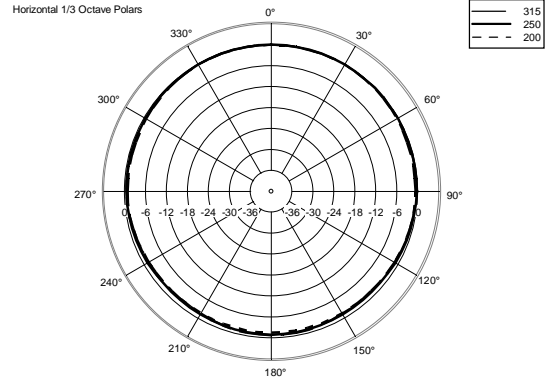
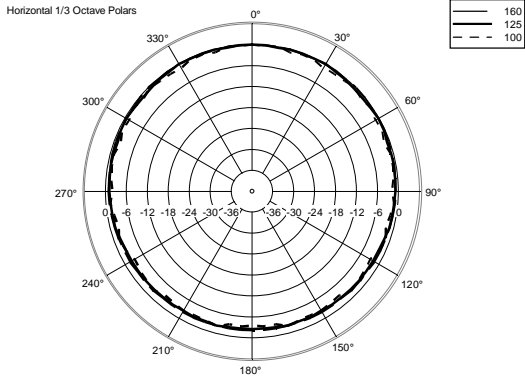
DRAWINGS



SCHEMATICS







ACCESSORIES



CV 225 CABLE SPEAKER 100V SEZ 2X2.5MMQ EV

PART NUMBER

14380032

EAN:

8024530012182

A&E SPECIFICATIONS

The product shall be a weatherproof unidirectional sound projector suitable for broadcasting background music into commercial spaces, but also alarm messages, thanks to the highly intelligible voice reproduction and the EN 54-24 certification.

It shall have IP55 protection grade for both indoor and outdoor installations.

It shall feature a cylindrical plastic body with an aluminium grille and a U-bracket support.

The terminal connection blocks, for input and output flameproof cables, shall be made of ceramic material. A thermal fuse shall protect the line integrity in case of heat affecting the speaker.

NOTES

NO CAUTION is NECESSARY in case of ALERTED PERSON for AUDIO voltages up to 120V, when warning symbols are present near the connection terminals. In the case of AUDIO voltages up to 71V, it is not even necessary to put warning symbols.

No need of linking to earth metal parts of speakers equipped with transformers and connected to 70.7 V / 100 V outputs of power amplifiers that do not have any reference to earth (ref. EN 62368-1 item 4.3.2.2), unless specific local requirements.
