

The CS-304 outdoor speaker features stainless steel hardware for all-weather durability. It is designed to offer the high intelligibility of weather-resistant horns combined with the high sound quality of dynamic speakers. The CS-304 employs the rotary switch that facilitates impedance changes. It also employs a constant directivity horn for clear sound output over its horizontal range of 90° operation.

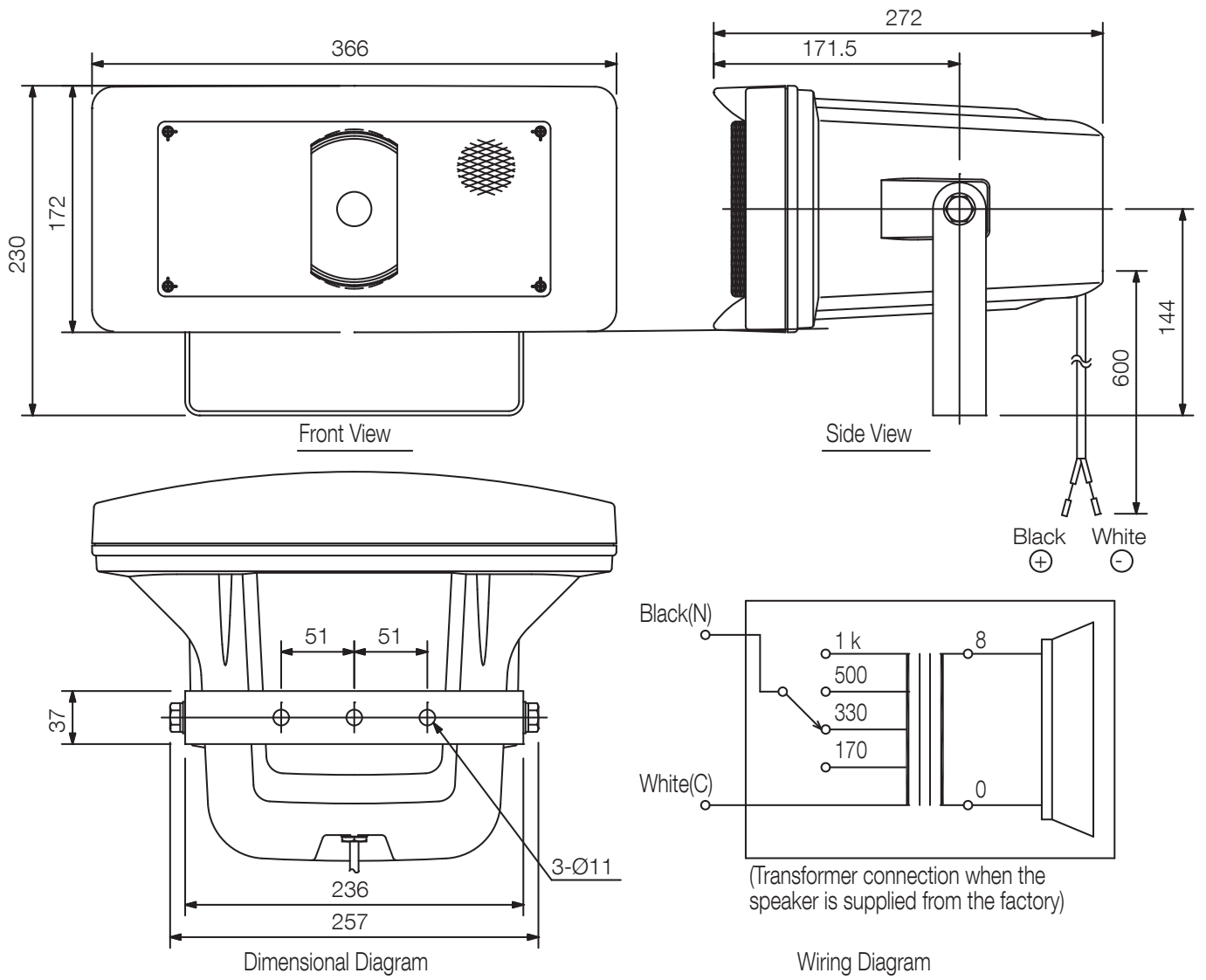


Article number:CS-304 EU  
Alternative products: CS-64, CS-154

### Specifications

|                              |  |
|------------------------------|--|
| Sensitivity (1#V, 1#n)       | 98 dB  |
| Frequency response           | 120 Hz - 15 kHz  |
| Rated input (high impedance) | 30 W   |
| Tappings                     | 100 V : 330 Ω (30 W) / 500 Ω (20 W) / 1 kΩ (10 W)<br>70 V : 170 Ω (30 W) / 330 Ω (15 W) / 500 kΩ (10 W) / 1 kΩ (5 W) |
| Speaker component            | 12 cm cone-type  |
| Finish                       | ABS resin, paint, off-white (RAL 9010 or equivalent), Bracket: Stainless steel                                       |
| Operating temperature        | -10 °C to +55 °C   |

Appearance



UNIT:mm

SCALE:1/5