

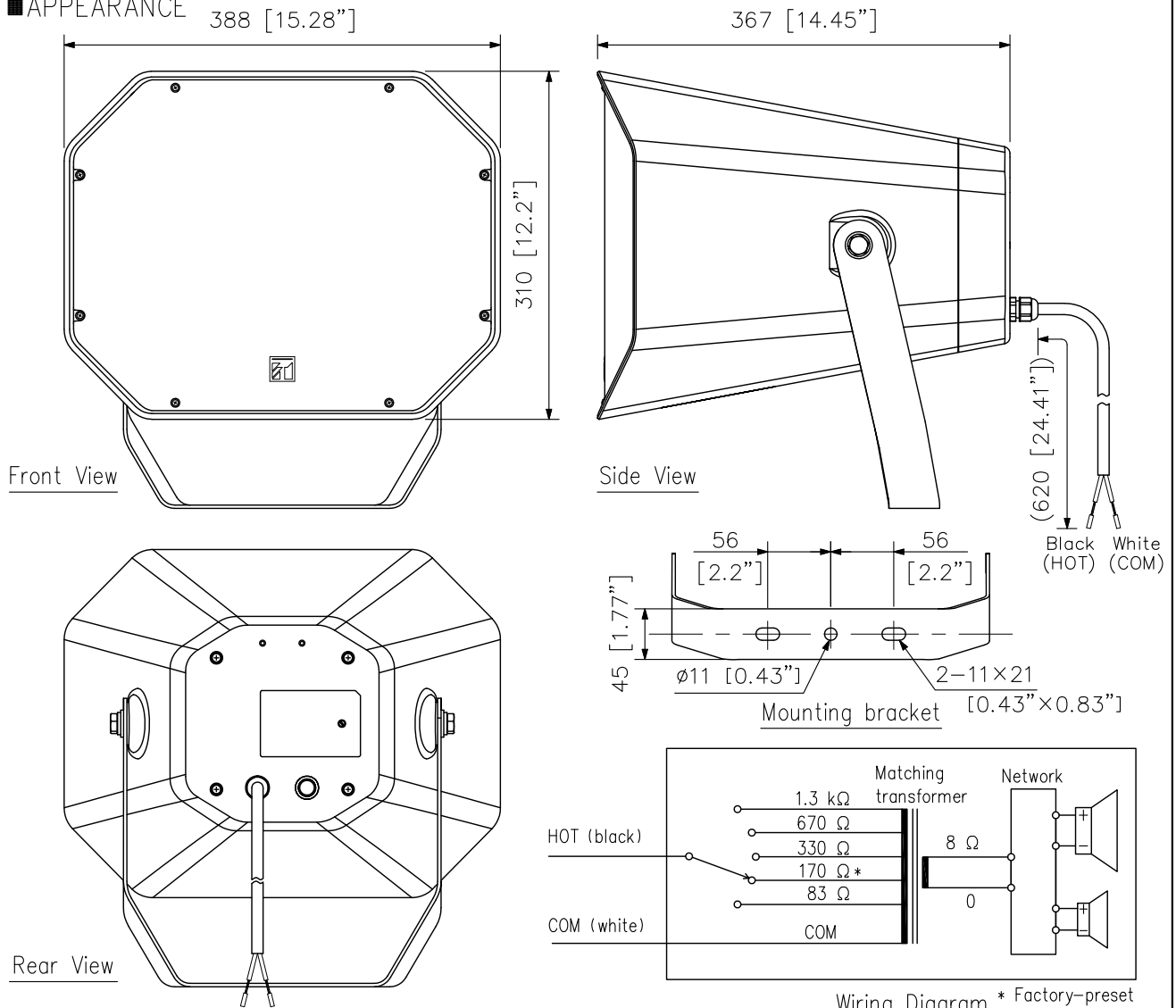
**TOA****2WAY COAXIAL HORN SPEAKER 60W****CS-761W****DESCRIPTION**

The CS-761W is a two-way speaker featuring a coaxially positioned 16 cm (6.5") cone speaker and 2.5 cm (1") tweeter. This speaker provides high-quality sound broadcasts with excellent clarity, not only indoors, but also in semi-outdoor facilities such as multistory parking structures, and even in outdoor applications such as sports grounds and parks. It also complies with IP66 Dustproof and Waterproof Standards.

**SPECIFICATIONS**

Rated Input	60 W
Rated Impedance	100 V line: 170 Ω (60 W), 330 Ω (30 W), 670 Ω (15 W), 1.3 kΩ (7.5 W) 70 V line: 83 Ω (60 W), 170 Ω (30 W), 330 Ω (15 W), 670 Ω (7.5 W)
Sensitivity	100 dB (1 W, 1 m) (1 kHz - 10 kHz, pink noise)
Frequency Response	100 Hz - 20 kHz
Speaker Component	Low frequency: 16 cm (6") cone-type, High frequency: 2.5 cm (1") tweeter
Directivity Angle	Horizontal: 90°, Vertical: 80°
Operating Temperature	-10 °C to +50 °C (14 °F to 122 °F)
Dust/Water Protection	IP66
Connection	Speaker cable (Hot: Black, Com: White)
Finish	Enclosure: ABS resin, white (RAL 9010 equivalent), paint Punched net: Steel plate, white (RAL 9010 equivalent), paint Bracket: Stainless steel, white (RAL 9010 equivalent), powder coating
Dimensions	388 (W) × 310 (H) × 367 (D) mm (15.28" × 12.2" × 14.45")
Weight	7.6 kg (16.75 lb)
Option	Speaker mount bracket: SP-201, Pole band: YS-60B, Speaker stand: ST-34B

Note: Avoid installing the speaker in locations close to the seashore or in indoor swimming facilities that are not well ventilated. In such locations, the bracket may be vulnerable to corrosion, eventually allowing the speaker to fall resulting in personal injury.

**APPEARANCE**

UNIT:mm SCALE:1/6

Note: Numerical values in parentheses are for reference only.