

The SC-630M is a compact, highly intelligible speaker suited to public address announcement applications. Its external speaker component finished with powder coating, and stainless steel bracket and screws ensure the unit's weatherproof capability.

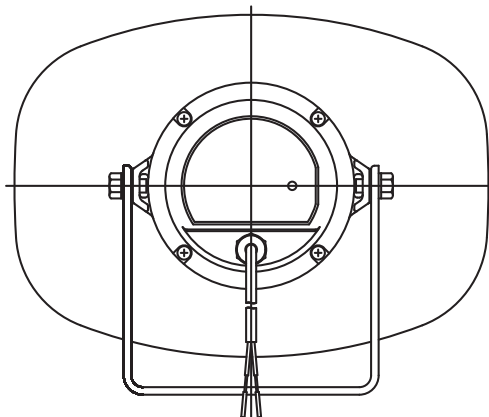


Article number: SC-630M EU
Alternative products: SC-610M, SC-615M,
SC-630M

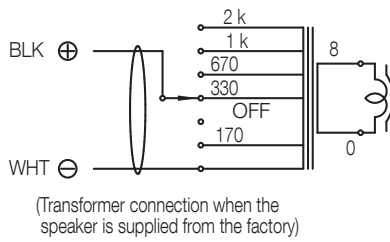
Specifications

Frequency response	250 Hz - 10 kHz
Sensitivity (1#V, 1#m)	113 dB
Rated input (High Impedance)	30 W
Tappings	30 / 15 / 10 / 5 W (70 V) 30 / 15 / 7.5 / 5 / 2.5 W (100 V)
Connection	Cable with two wires
Operating temperature	-20 °C to +55 °C (must be free from dew condensation)
Certificates	IP65
Dimensions	285 x 227 x 277 mm (W x H x D)
Gross weight	2,63 KG
Finish	Aluminium, powder coating, off-white (RAL 9010 or equivalent),
Weight	2 kg

Appearance

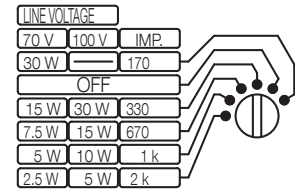


Rear View



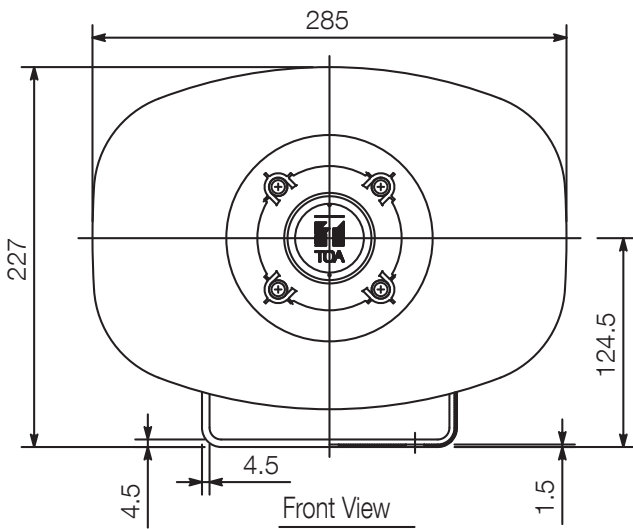
Wiring diagram

CAUTION
NEVER SET THE SWITCH TO " " POSITION
FOR 100 V LINE OPERATION, AS DOING SO MAY
RESULT IN DAMAGE TO THE SPEAKER.

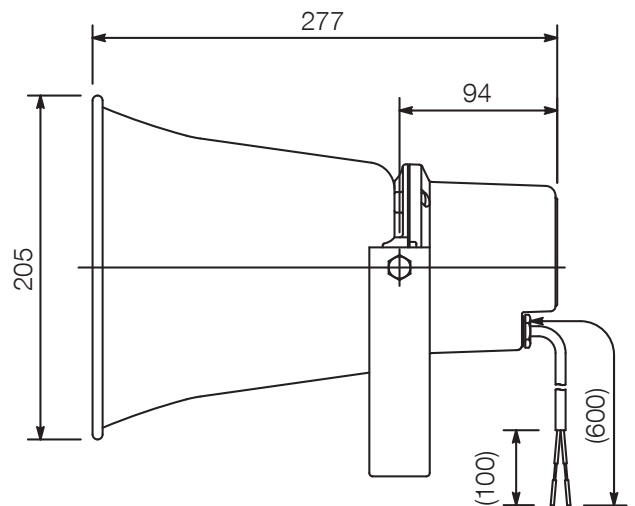


Set the impedance selector to the desired impedance.

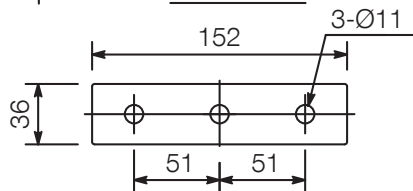
Impedance selection



Front View



Side View



Bracket dimensional diagram

UNIT:mm

SCALE:1/5

Note: Numerical values in parentheses are for reference only.