

The SC-615M is a compact, highly intelligible speaker suited to public address announcement applications. Its external speaker component finished with powder coating, and stainless steel bracket and screws ensure the unit's weatherproof capability.

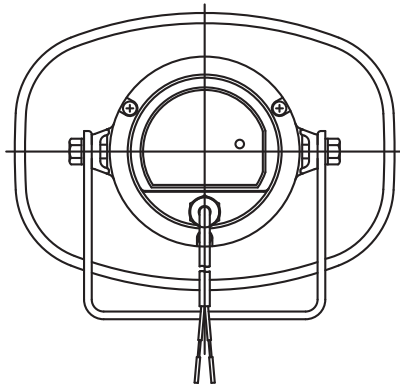


Article number: SC-615M EU
Alternative products: SC-610M, SC-630M

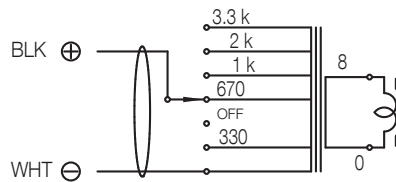
Specifications

Frequency response	280 Hz - 12.5 kHz
Sensitivity (1#V, 1#m)	112 dB
Rated input (High Impedance)	15 W
Tappings	100V LINE: 670Ω (15W), 1kΩ (10W), 2kΩ (5W), 3.3kΩ (3W) 70V LINE: 330Ω (15W), 670Ω (7.5W), 1kΩ (5W), 2kΩ (2.5W), 3.3kΩ (1.5W)
Connection	Cable with two wires
Operating temperature	-20 °C to +55 °C (must be free from dew condensation)
Certificates	IP65
Dimensions	222 x 179 x 234 mm (W x H x D)
Gross weight	1,5 KG
Finish	Aluminium, powder coating, off-white (RAL 9010 or equivalent),
Weight	1.3 kg

Appearance



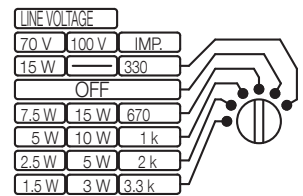
Rear View



(Transformer connection when the speaker is supplied from the factory)

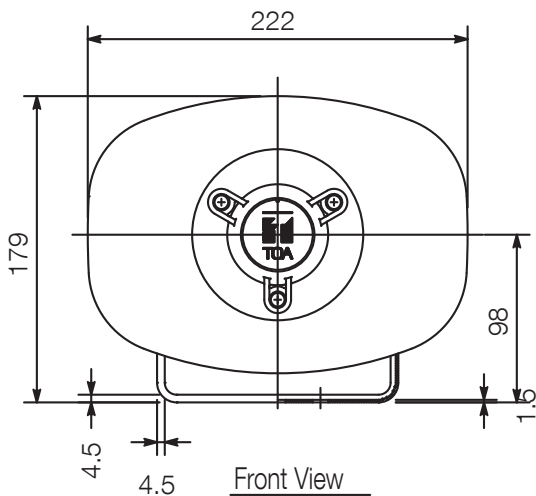
Wiring diagram

CAUTION
NEVER SET THE SWITCH TO " " POSITION FOR 100 V LINE OPERATION, AS DOING SO MAY RESULT IN DAMAGE TO THE SPEAKER.

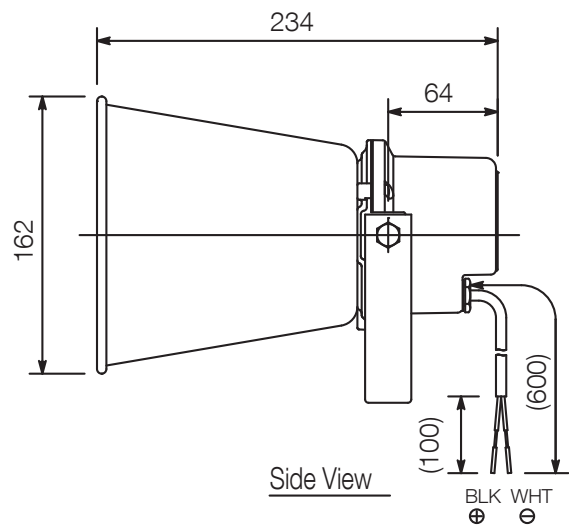


Set the impedance selector to the desired impedance.

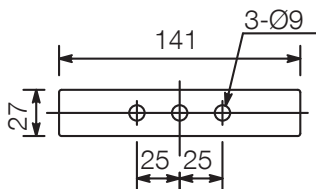
Impedance selection



Front View



Side View



Bracket dimensional diagram

UNIT:mm

SCALE:1/5

Note: Numerical values in parentheses are for reference only.