

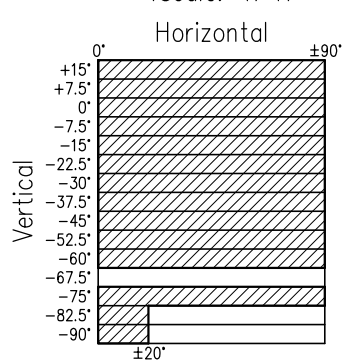
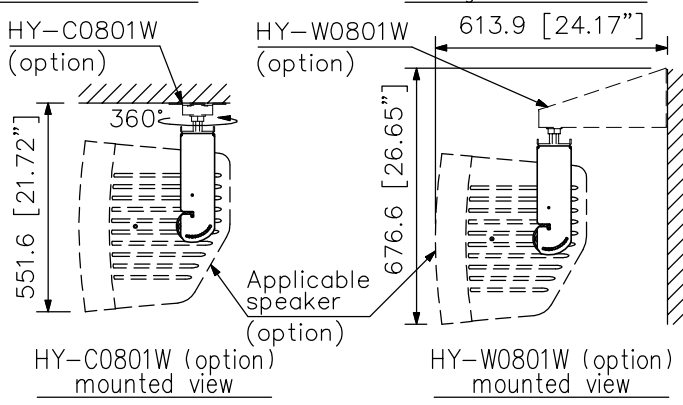
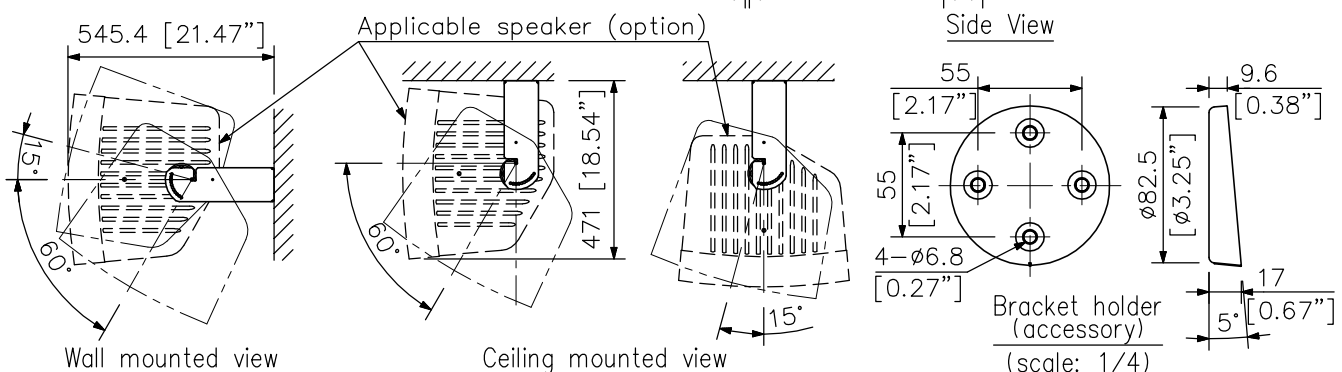
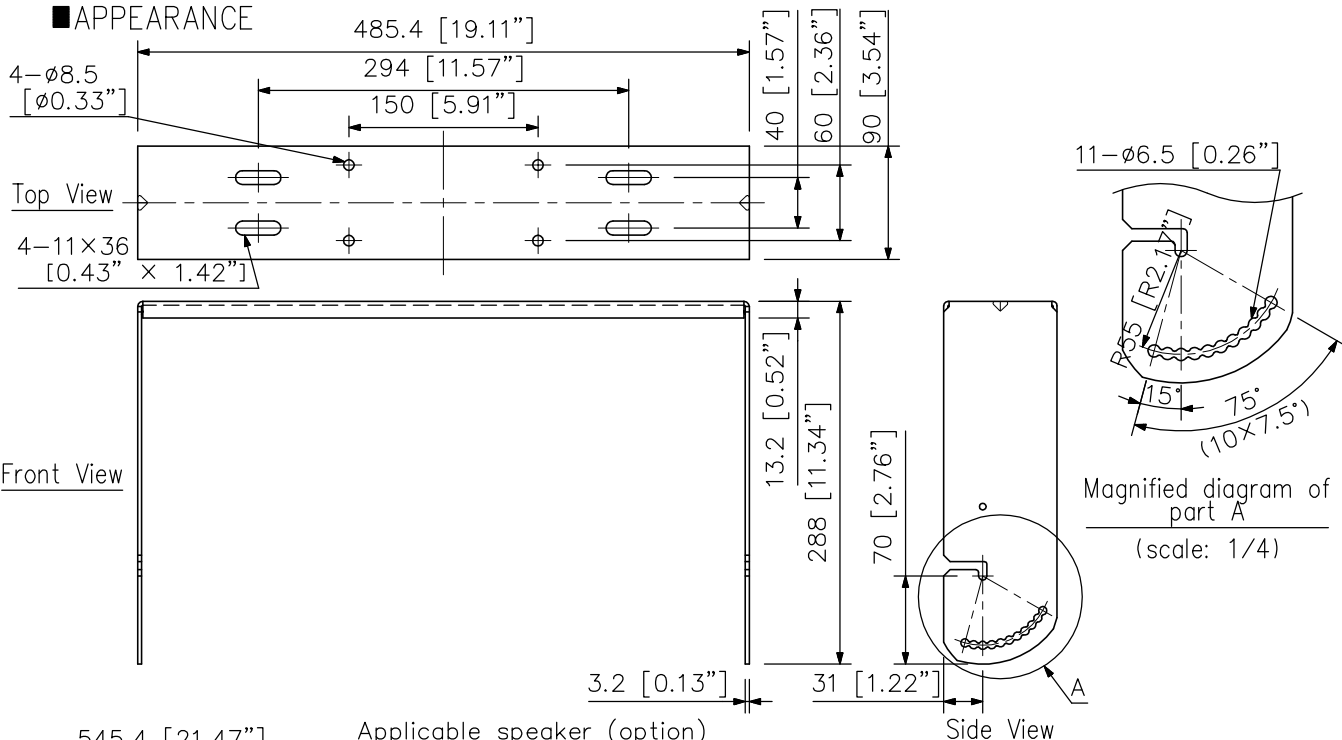
DESCRIPTION

The HY-1500HW Mount Bracket is designed to mount speaker system to a wall or ceiling in a horizontal configuration. It allows the speaker orientation angle to be adjusted from 15° upward to 60° downward when mounted on a wall, and from 0° (horizontal) to 90° downward when mounted to a ceiling.

SPECIFICATIONS

Finish	Steel plate, white, paint
Dimensions	485.4 (W) x 288 (H) x 90 (D) mm (19.11" x 11.34" x 3.54")
Weight	2.4 kg (5.29 lb)
Accessory	Bracket holder *2, Bracket holder mounting screw *4, Speaker mounting screw *4, Nut for the optional bracket *4, Washer for the optional bracket *4
Option	Ceiling mount bracket: HY-C0801W, Wall mount bracket: HY-W0801W
Applicable Speaker (option)	HS-150W, HS-1500WT

APPEARANCE



Horizontal angle adjustment range of the HY-1500HW + HY-W0801W (shaded areas)

Mounting example (scale: 1/20)

UNIT: mm SCALE: 1/6