

MATCHING TRANSFORMER ADAPTER HY-MT7

Thank you for purchasing TOA's Matching Transformer Adapter.
Please carefully follow the instructions in this manual to ensure long, trouble-free use of your equipment.

1. SAFETY PRECAUTIONS

- Before installation or use, be sure to carefully read all the instructions in this section for correct and safe operation.
- Be sure to follow all the precautionary instructions in this section, which contain important warnings and/or cautions regarding safety.
- After reading, keep this manual handy for future reference.

WARNING

Indicates a potentially hazardous situation which, if mishandled, could result in death or serious personal injury.

- Do not use other methods than specified to mount the adapter. Extreme force is applied to the adapter and the matching transformer could fall off, possibly resulting in personal injuries.
- Tighten each nut and bolt securely. Ensure that the adapter has no loose joints after installation to prevent accidents that could result in personal injury.
- Use the specified matching transformer in combination. Doing otherwise may cause the adapter or matching transformer to fall off, resulting in personal injury.
- Avoid installing the speaker in locations close to the seashore or in indoor swimming facilities that are not well ventilated. In such locations, the adapter may be vulnerable to corrosion, eventually allowing the matching transformer to fall resulting in personal injury.

CAUTION

Indicates a potentially hazardous situation which, if mishandled, could result in moderate or minor personal injury, and/or property damage.

- Avoid touching the adapter's sharp metal edge to prevent injury.

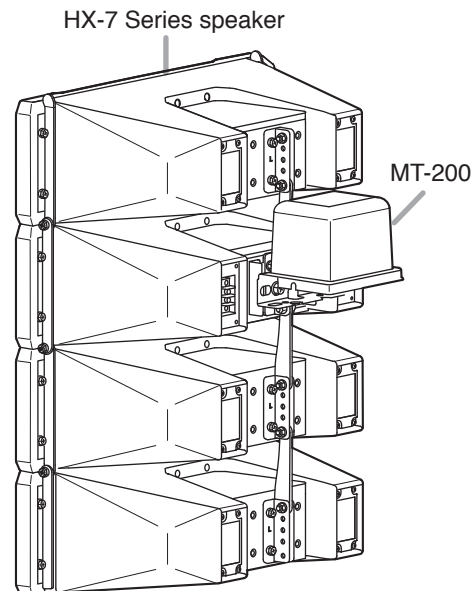
- Have the adapter checked periodically by the shop from where it was purchased. Failure to do so may result in corrosion or damage to the adapter that could cause the matching transformer to fall, possibly causing personal injury.

2. GENERAL DESCRIPTION

The HY-MT7 Matching Transformer Adapter is designed to mount an optional MT-200 Matching Transformer* to the HX-7 Series Speaker System.

- * The Matching Transformer is used to convert low impedance to high impedance (100 V or 70 V line). Refer to the MT-200's Operating Instructions for more details.

3. MT-200 MOUNTING EXAMPLE



Note

When joining two speaker systems, a separate MT-200 Matching Transformer must be attached to the second speaker system as well. The mounting method is the same as that for the initial speaker system.

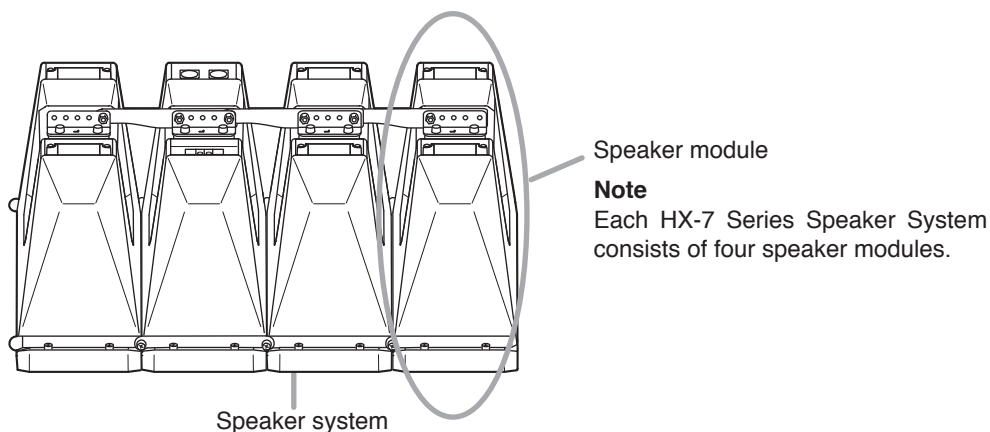
4. MOUNTING THE MT-200 MATCHING TRANSFORMER

WARNING

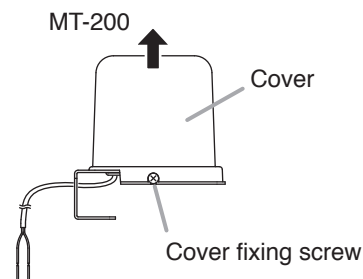
Tighten the bolts securely, as instructed below.
Failure to follow instructions precisely could result in a falling speaker and potential personal injury.

- Ensure that all bolts are securely inserted as far as their threads go, then securely fasten each bolt with a nut.
- Tighten all the bolts with the designated tightening torque. For tightening, use a Phillips screwdriver, or open- or box-end wrench.

Before mounting the MT-200, lay out a protective sheet, corrugated cardboard or other soft material on a flat surface, and perform all work on the speaker with its front baffle facing downward.

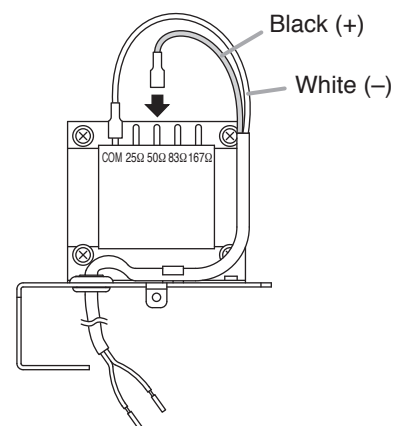


Step 1. Remove the MT-200's cover.



Step 2. Change the primary connection tap.
The tap of the MT-200 is factory-preset to 167 Ω .
Change the setting as required.
To change the tap, reconnect the primary black cord according to the table below.

Line \ Tap	25 Ω	50 Ω	83 Ω	167 Ω
100 V line	—	200 W	120 W	60 W
70 V line	200 W	100 W	60 W	30 W

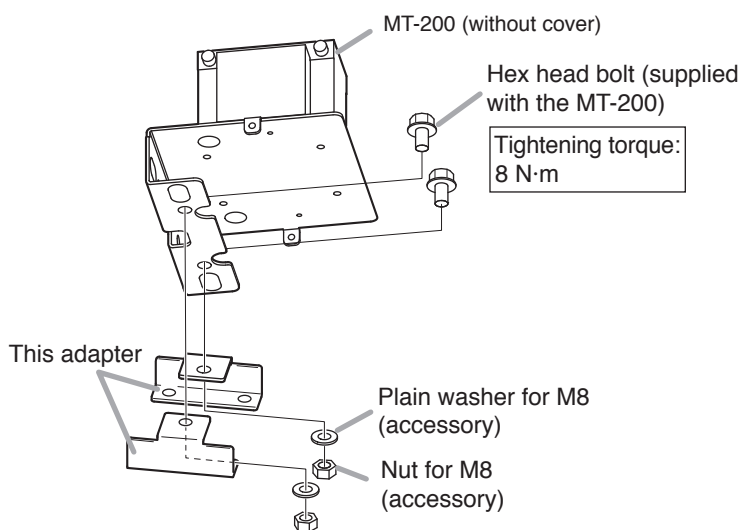
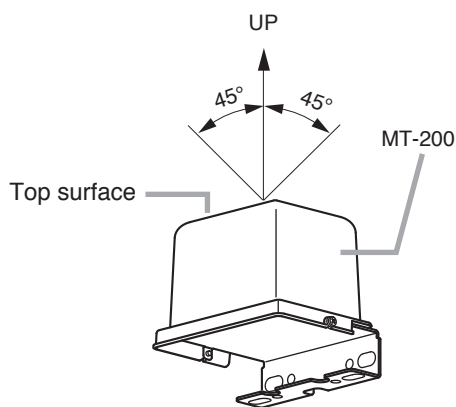
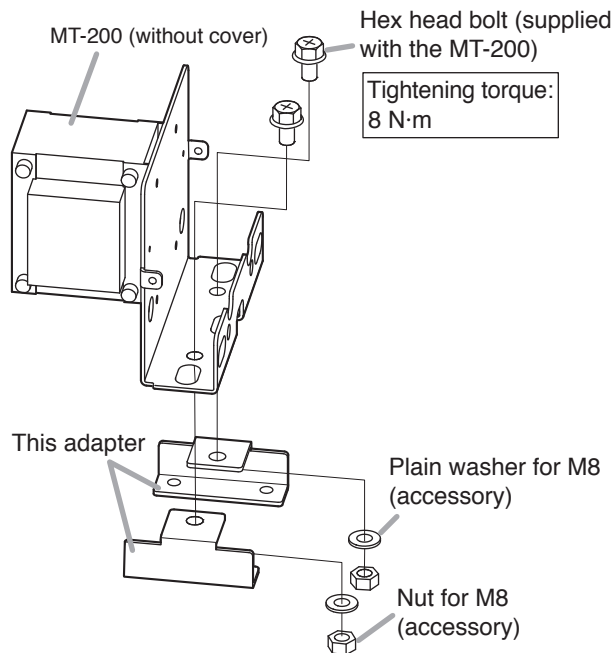


Note: Never touch the white cord connected to the COM tap.

Step 3. Mount the MT-200 to this adapter.
 Mount the MT-200 as shown in the figure at right. Its completed installation is shown in the “MT-200 Mounting Example” figure on the front page.

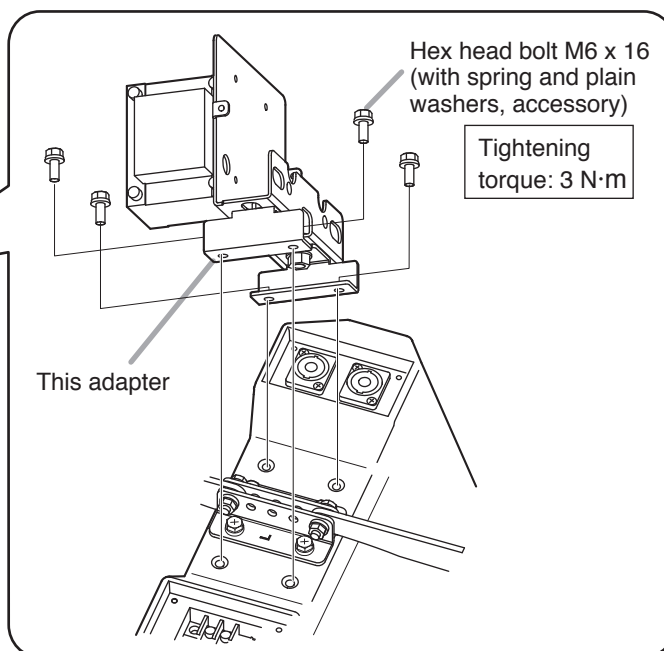
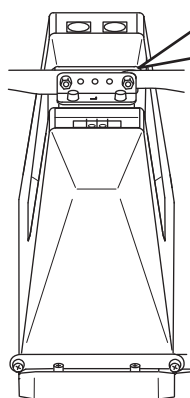
Tip
 Be sure to keep the MT-200’s cover removed.

Note
 When installing speaker systems under eaves, be sure to install in a vertical array. Further, to ensure the MT-200’s waterproofing capability, install it so that its top panel surface is tilted within 45° of the vertical plane.
 If the MT-200’s waterproofing capabilities cannot be ensured by the mounting method shown in the figure at upper right, mount the MT-200 as shown at lower right. Refer to the operating instructions supplied with the MT-200.



Step 4. Mount this adapter to the rear panel of the speaker module.

This adapter can be attached to any speaker module, however there may be cases in which they cannot be easily attached due to their combination with other optional mounting brackets. In such cases, attach this adapter to any free speaker module.



Step 5. Connect the lines from the MT-200 to the speaker's rear-mounted connector.
For cable connection, refer to the MT-200's and the HX-7 Series speaker's Operating Instructions.

Step 6. Replace the MT-200's cover and tighten the screws.
Secure the removed cover with the 2 cover fixing screws.

Note

To ensure the splash-proof capability, press the cover firmly onto the gasket.

5. SPECIFICATIONS

Applicable Speaker	HX-7B, HX-7W, HX-7B-WP, HX-7W-WP
Finish	Stainless, black, semi-gloss, paint
Dimensions	30 (w) x 70 (h) x 28 (d) mm (1.18" x 2.76" x 1.102")
Weight	140 g (0.31 lb)

Note: The design and specifications are subject to change without notice for improvement.

• **Accessories**

Hex head bolt M6 x 16 with spring and plain washers	4
Plain washer for M8	2
Nut for M8	2