

MT-200

MATCHING TRANSFORMER

The MT-200 is a matching transformer for the HX-5 series and HX-7 series speaker systems, and can be used both indoors and outdoors.



Article number: MT-200 EU

Specifications

Rated input (high impedance)	200 W
Tappings	Primary Side: 100 V: 50 Ω (200 W), 83 Ω (120 W), 167 Ω (60 W) 70 V: 25 Ω (200 W), 50 Ω (100 W), 83 Ω (60 W), 167 Ω (30 W) Secondary Side : 8 Ω
Finish	Polypropylene resin, black,

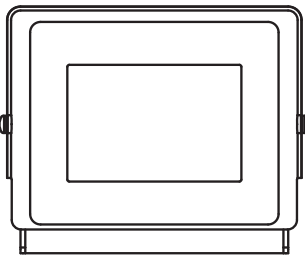
MT-200

MATCHING TRANSFORMER

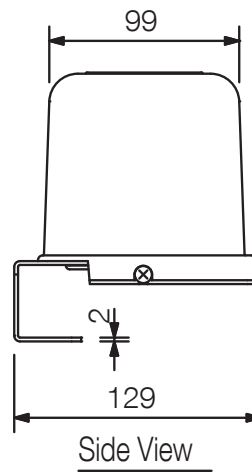
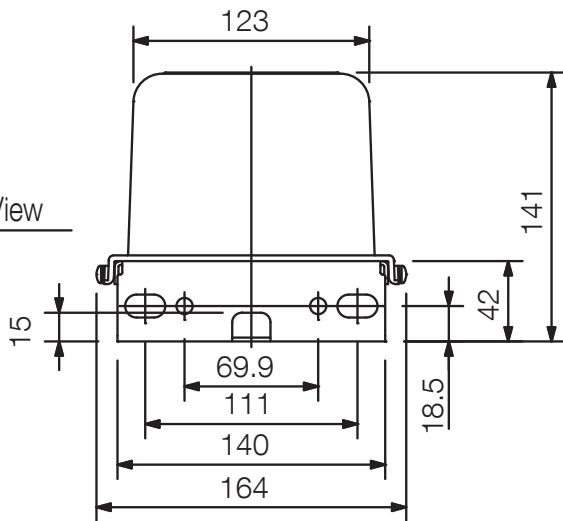
Appearance

When the matching transformer is installed on the HX-5 series rear mounting plate, the optional HY-WM1 series and HY-CW1 series Speaker Mounting Brackets, and HY-ST1 Speaker Stand Adapter cannot be used. When mounting the matching transformer to the HX-7 series, an optional HY-MT7 Matching Transformer Adapter is required.

Top View



Front View



Side View