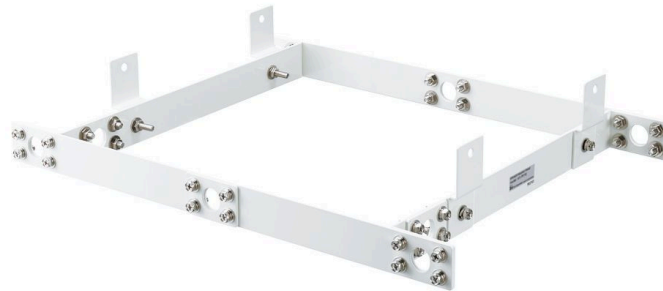


HY-PF7W

SPEAKER RIGGING FRAME

The HY-PF7W is used exclusively to suspend the HX-7W speaker system from the ceiling. The FB-150W Sub-woofer can be suspended using this frame and the frame's supplied mounting brackets.



Article number:HY-PF7W

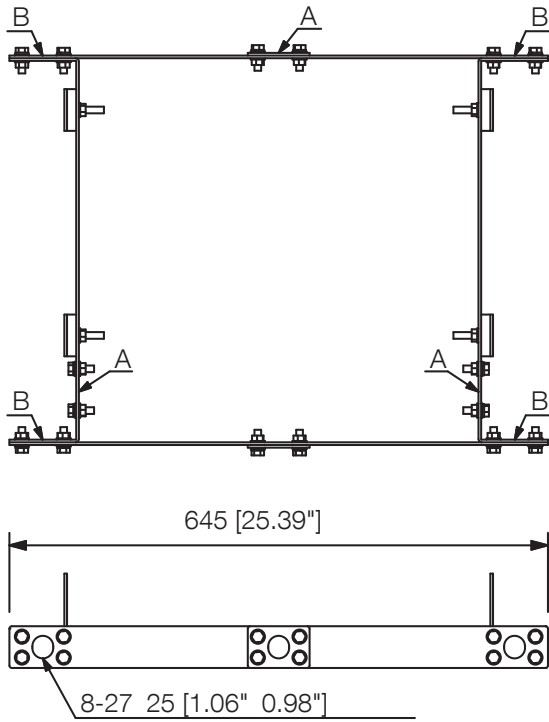
Specifications

Finish	Steel plate, semi-gloss, paint, white,
--------	--

HY-PF7W

SPEAKER RIGGING FRAME

Appearance



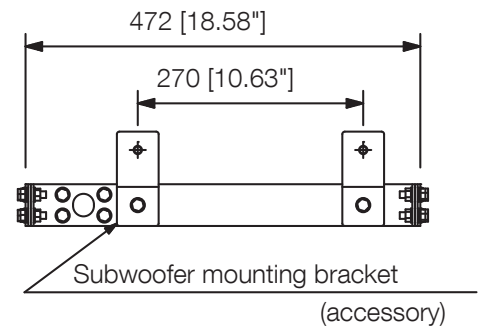
Hanging the HX-7W

Hanging the HX-7W with the FB-150W mounted

Holes A are used for hanging between the HY-PF7W and the HX-7W (3-point hanging), and Holes B for hanging between the HY-PF7W and the ceiling (4-point hanging).

Hanging the FB-150W

Holes B are used for hanging between the HY-PF7W and the ceiling (4-point hanging).



Example for HX-7W and FB-150W mounting

(scale :1/15)