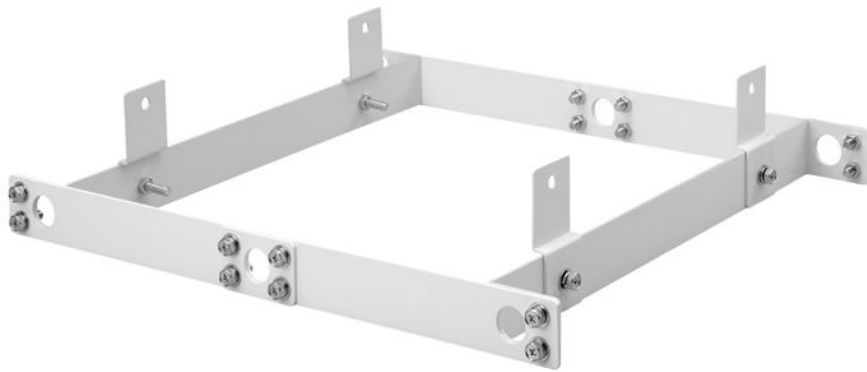


HY-PF1W

SPEAKER RIGGING FRAME

The HY-PF1W is used exclusively to suspend the HX-5 speaker system from the ceiling. The FB-120 series Sub-woofer can be suspended using this frame and the frame's supplied mounting brackets. This bracket is designed for indoor use.



Article number:HY-PF1W EU

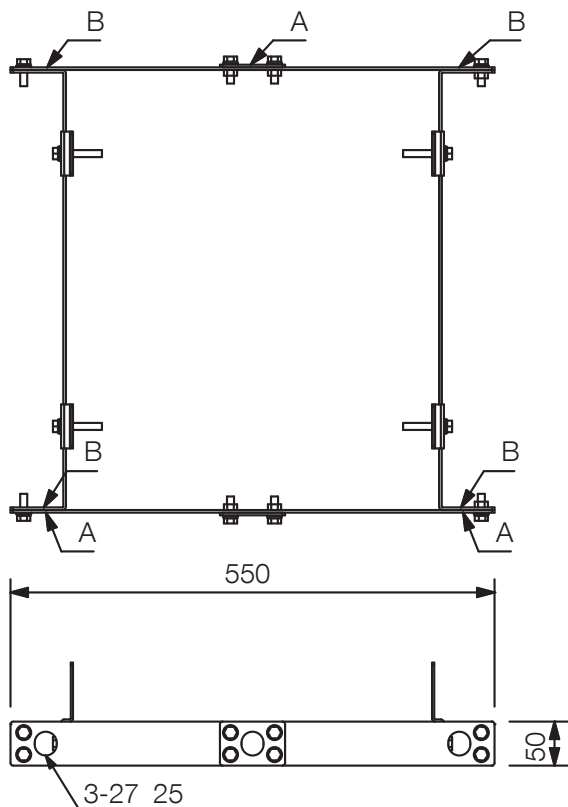
Specifications

Finish.	Steel plate, semi-gloss, paint, white,
---------	--

HY-PF1W

SPEAKER RIGGING FRAME

Appearance



Hanging the HX-5W

Holes A are used for hanging between the HY-PF1W and the HX-5W, and also between the HY-PF1W and the ceiling (3-point hanging).

Hanging the HX-5W with the FB-120W mounted

Holes A are used for hanging between the HY-PF1W and the HX-5W (3-point hanging), and Holes B for hanging between the HY-PF1W and the ceiling (4-point hanging).

Hanging the FB-120W

Holes B are used for hanging between the HY-PF1W and the ceiling (4-point hanging).

