

F-1300 Series Wide-Dispersion Speakers



DESCRIPTION

The TOA F-1300 Series comprise a two-way speaker line of compact units offering wide frequency response and higher, more powerful performance. These highly adaptable speaker systems are intended to meet the requirements of a wide range of venues and applications, both indoors and outdoors.

For clear, wide-area sound coverage, the Series include wide dispersion-angle (110° x 100°) high-frequency horn (Octagonal Horn). High-impedance and low-impedance models are available. Low impedance models come with separate HF and LF protection circuitry. High impedance models have a rear-panel rotary control for making impedance settings that optimally match amplifier and speaker performance.

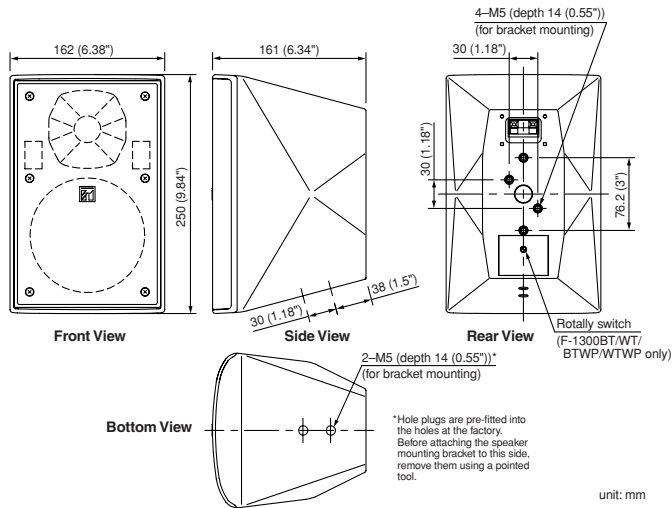
The speaker units have a design that combines stylishness and a high degree of performance-enhancing rigidity. Even the decor-enhancing convex bulge on the side of the casing serves to improve rigidity. Brackets for easy speaker-stand, wall and ceiling installation are included, and there are also optionally available brackets for more challenging installation venues and sound reinforcement applications. Push-in terminals make connections quick and easy, and there are models for outdoor use that meet IPX4 splash-proof standards.

FEATURES

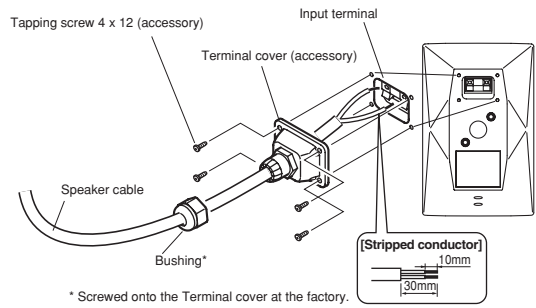
- 110° x 100° dispersion angle high-frequency horns (Octagonal Horn) ensure an enhanced sound coverage area and a more even balanced tone.
- Splash-proof design with anticorrosive punching net and terminal cover, meeting IPX4 splash-proof ratings, available on models F-1300BTWP/WTWP.
- All speaker models are repaintable.
- Low impedance models have high and low frequency filter and protection circuitry.
- Included accessory brackets allow a wide choice of installations on walls, ceilings and speaker stands.
- Optionally available brackets meet an even wider variety of installation demands.
- Stylish and highly rigid casing design for attractive installation with clearer sound reproduction.
- Sensitivity: 90dB (1W, 1m)



APPEARANCE AND DIMENSIONAL DIAGRAM



TERMINAL COVER USE (F-1000BTWP/WTWP only)



Notes

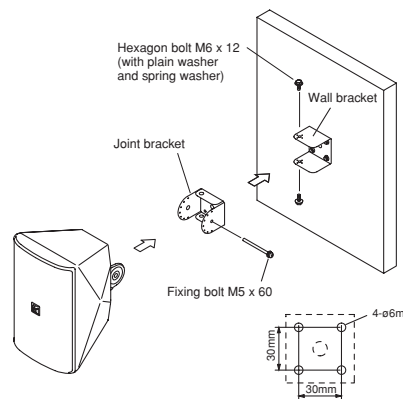
- For the speaker cable, use a cable with a diameter of 6 – 10 mm, which will fit the cable bushing.
- To ensure waterproof capabilities, firmly mount the terminal cover to the speaker and tighten the bushing on the cover.

WALL BRACKET AND JOINT BRACKET MOUNTING

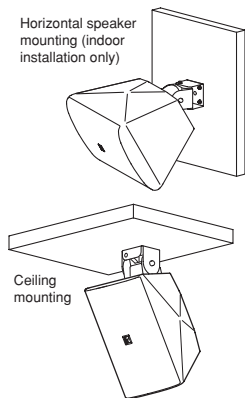
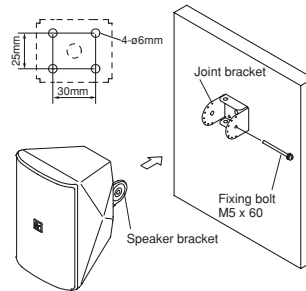
Wall bracket mounting

Vertical installation
Horizontal: Max. 75°,
Vertical: Max. 45° downward

Horizontal installation
Horizontal: Max. 49°,
Vertical: Max. 45° downward



Joint bracket mounting



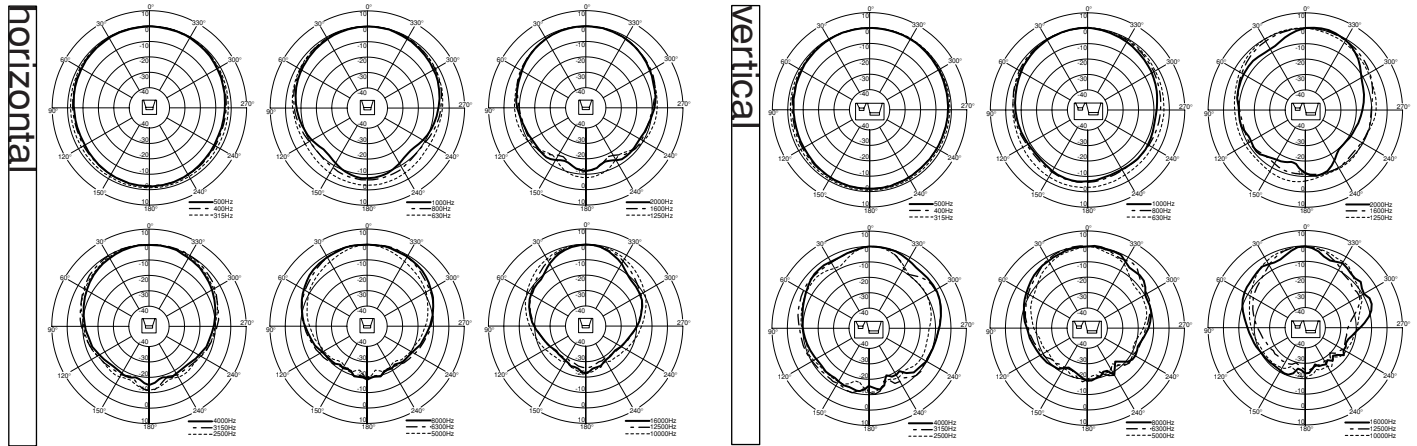
SPECIFICATIONS

Model No.	F-1300B	F-1300W	F-1300BT	F-1300WT	F-1300BTWP*	F-1300WTWP*
Enclosure Type	Bass-reflex type					
Power Handling Capacity	50 W (continuous pink noise) 150 W (continuous program)			—		
Rated Input	—				30 W	
Rated Impedance	8 Ω		100V line: 330Ω (30W), 1 kΩ (10W), 3.3 kΩ (3W), 10 kΩ (1W) 70V line: 170Ω (30W), 330Ω (15W), 1 kΩ (5W), 3.3 kΩ (1.5W), 10 kΩ (0.5W)			
Sensitivity	90 dB (1W, 1m) at installation in 1/2 free sound field					
Frequency Response	80 – 20,000 Hz, -10 dB at installation in 1/2 free sound field					
Crossover Frequency	2 kHz					
Directivity Angle	Horizontal: 110°, Vertical: 100°					
Speaker Component	Low frequency: 13 cm (5") cone-type High frequency: 25 mm (1") dome tweeter					
Input Terminal	Push-in terminal					
Water Protection	—				IPX4	
Operating Temperature	—				-10°C to +50°C (14°F to 122°F)	
Finish	Enclosure: HIPS resin, black Punched net: Surface-treated steel plate, black, paint Joint bracket, wall bracket: Steel plate, t1.6, black, paint Speaker bracket: Die-cast aluminum, black, paint	Enclosure: HIPS resin, white Punched net: Surface-treated steel plate, white, paint Joint bracket, wall bracket: Steel plate, t1.6, white paint Speaker bracket: Die-cast aluminum, white, paint	Enclosure: HIPS resin, black Punched net: Surface-treated steel plate, black, paint Joint bracket, wall bracket: Steel plate, t1.6, black, paint Speaker bracket: Die-cast aluminum, black, paint	Enclosure: HIPS resin, white Punched net: Surface-treated steel plate, white, paint Joint bracket, wall bracket: Steel plate, t1.6, white, paint Speaker bracket: Die-cast aluminum, white, paint	Enclosure: HIPS resin, black Punched net: Surface-treated steel plate, black, anticorrosive paint Joint bracket, wall bracket: Stainless steel, t1.5 Speaker bracket: Die-cast aluminum, black, paint	Enclosure: HIPS resin, white Punched net: Surface-treated steel plate, white, anticorrosive paint Joint bracket, wall bracket: Stainless steel, t1.5 Speaker bracket: Die-cast aluminum, white, paint
Dimensions	162 (W) × 250 (H) × 161 (D) mm (6.38" × 9.84" × 6.34")					
Weight	3.1 kg (6.83 lb) (including the supplied brackets)			3.6 kg (7.94 lb) (including the supplied brackets)		
Accessories	Speaker bracket × 1, Joint bracket × 1, Wall bracket × 1, Fixing bolt M5 × 60 × 1, Hexagon bolt M6 × 12 (with plain washer and spring washer) × 2, Machine screw M5 × 20 (with plain washer and spring washer) × 2				Speaker bracket × 1, Joint bracket × 1, Wall bracket × 1, Fixing bolt M5 × 60 × 1, Hexagon bolt M6 × 12 (with plain washer and spring washer) × 2, Machine screw M5 × 20 (with plain washer and spring washer) × 2, Terminal cover × 1, Tapping screw 4 × 12 × 4	
Option	Board hanger bracket: HY-BH10B Ceiling mount bracket: HY-CM10B Cluster bracket: HY-CL10B Speaker stand: ST-16A	Board hanger bracket: HY-BH10B Ceiling mount bracket: HY-CM10W Cluster bracket: HY-CL10B Speaker stand: ST-16A	Board hanger bracket: HY-BH10B Ceiling mount bracket: HY-CM10B Cluster bracket: HY-CL10B Speaker stand: ST-16A	Board hanger bracket: HY-BH10B Ceiling mount bracket: HY-CM10W Cluster bracket: HY-CL10B Speaker stand: ST-16A	Speaker mount bracket: YS-60B	
Recommended Subwoofer	FB-100, FB-120B/120W (indoor use only)					

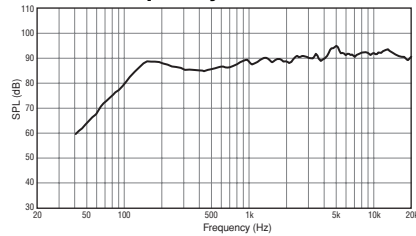
* Note: Avoid installing the speaker in locations close to the seashore or in indoor swimming facilities.

CHARACTERISTIC DIAGRAMS

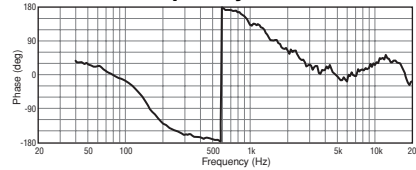
Polar Response



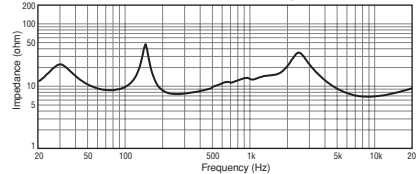
SPL vs. Frequency



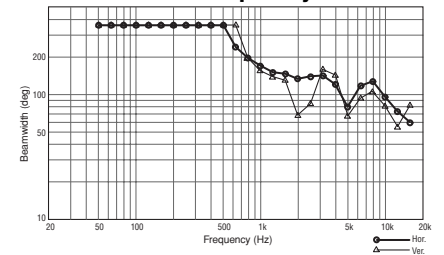
Phase vs. Frequency



Impedance vs. Frequency



Beamwidth vs. Frequency



ARCHITECTURAL AND ENGINEERING SPECIFICATIONS

F-1300B / F-1300W

The speaker shall be a two-way bass reflex enclosure suitable for ceiling or wall mounting. The low frequency component shall be a 13 cm (5") cone-type woofer. The high frequency component shall be a 25 mm (1") dome tweeter. For clear, wide-area sound coverage, the speaker shall be 110° (H) × 100° (V) wide dispersion-angle high frequency horn.

The speaker shall come with separate HF and LF protection circuitry.

The speaker shall be rated at 8 ohms. The sensitivity at a distance of 1m with a 1W input level applied shall be 90 dB. The rated power handling shall be 50 W continuous pink noise and 150 W continuous program. The speaker shall have a frequency response of 80 to 20 kHz.

The speaker enclosure shall be constructed of HIPS resin. The speaker shall be available in white or black, and also be repaintable. The grille shall be a surface-treated steel plate. Brackets for speaker stand, wall and ceiling installation shall be included. There shall be also optionally available brackets for more demanding installations.

The unit shall be compact and lightweight with dimensions of 162 × 250 × 161 mm (6.38" × 9.84" × 6.34") and a weight of 3.1 kg (6.83 lbs).

The speaker shall be a TOA model F-1300B/F-1300W.

The board hanger bracket shall be the HY-BH10B.

The ceiling mount bracket shall be the HY-CM10B/HY-CM10W.

The cluster bracket shall be the HY-CL10B.

The subwoofer shall be the FB-100 or FB-120B/120W.

F-1300BT / F-1300WT

The speaker shall be a two-way bass reflex enclosure suitable for ceiling or wall mounting. The low frequency component shall be a 13 cm (5") cone-type woofer. The high frequency component shall be a 25 mm (1") dome tweeter. For clear, wide-area sound coverage, the speaker shall be 110° (H) × 100° (V) wide dispersion-angle high frequency horn.

The rated input shall be 30 W. The speaker shall include a transformer having multiple taps (1 W, 3 W, 10 W, 30 W at 100 V and 0.5 W, 1.5 W, 5 W, 15 W, 30 W at 70 V) adjustable via the rear of the enclosure. The sensitivity at a distance of 1 m with 1 W of input level applied shall be 90 dB. The speaker shall have a frequency response from 80 to 20k Hz.

The speaker enclosure shall be constructed of HIPS resin. The speaker shall be available in white or black, and also be repaintable. The grille shall be a surface-treated steel plate. Brackets for speaker stand, wall and ceiling installation shall be included. There shall be also optionally available brackets for more demanding installations.

The unit shall be compact and lightweight with dimensions of 162 × 250 × 161 mm (6.38" × 9.84" × 6.34") and a weight of 3.6 kg (7.94 lb).

The speaker shall be a TOA model F-1300BT/F-1300WT.

The board hanger bracket shall be the HY-BH10B.

The ceiling mount bracket shall be the HY-CM10B/HY-CM10W.

The cluster bracket shall be the HY-CL10B.

The subwoofer shall be the FB-100 or FB-120B/120W.

F-1300BTWP / F-1300WTWP

The speaker shall be a two-way bass reflex enclosure suitable for ceiling or wall mounting. The low frequency component shall be a 13 cm (5") cone-type woofer. The high frequency component shall be a 25 mm (1") dome tweeter. For clear, wide-area sound coverage, the speaker shall be 110° (H) × 100° (V) wide dispersion-angle high frequency horn.

The rated input shall be 30 W. The speaker shall include a transformer having multiple taps (1 W, 3 W, 10 W, 30 W at 100 V and 0.5 W, 1.5 W, 5 W, 15 W, 30 W at 70 V) adjustable via the rear of the enclosure. The sensitivity at a distance of 1 m with 1 W of input level applied shall be 90 dB. The speaker shall have a frequency response from 80 to 20k Hz.

The speaker enclosure shall be constructed of HIPS resin. The speaker shall have a IEC 529 splash-proof rating of IPX4. The speaker shall have an operating temperature of -10° C to +50° C (14° F to 122° F). The speaker shall be available in white or black, and also be repaintable. The grille shall be a punched net, surface-treated steel plate with anticorrosive paint. Brackets for speaker stand, wall and ceiling installation shall be included.

There shall be also optionally available pole mount bracket. The unit shall be compact and lightweight with dimensions of 162 × 250 × 161 mm (6.38" × 9.84" × 6.34") and a weight of 3.6 kg (7.94 lbs).

The speaker shall be a TOA model F-1300BTWP/F-1300WTWP.

The pole mount bracket shall be the YS-60B.

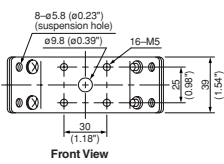
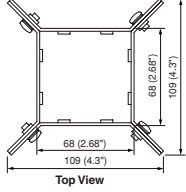
OPTIONAL BRACKETS

CLUSTER BRACKET for indoor use



HY-CL10B

- **Finish:** Steel plate, black, paint
- **Dimensions:** 109.3 (W) × 39 (H) × 109.3 (D)mm (4.3" × 1.54" × 4.3")
- **Weight:** 380g (0.84 lb)

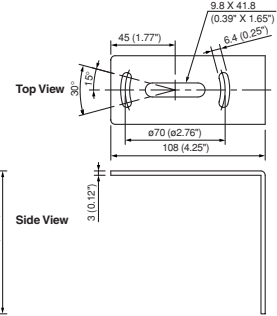
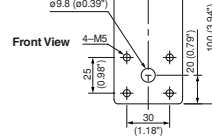


CEILING MOUNT BRACKET for indoor use

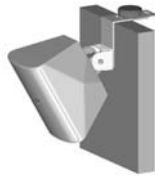


HY-CM10B/W

- **Finish:** Steel plate, black, paint (HY-CM10W: white, paint)
- **Dimensions:** 48 (W) × 100 (H) × 108 (D)mm (1.89" × 3.94" × 4.25")
- **Weight:** 210g (0.46 lb)

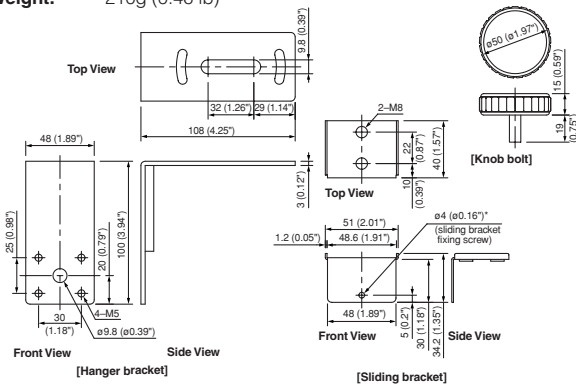


BOARD HANGER BRACKET for indoor use

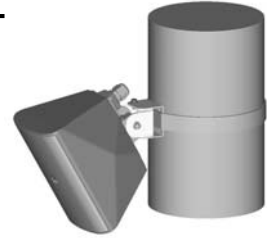


HY-BH10B

- **Finish:** Steel plate, black, paint
- **Dimensions:** 48 (W) × 100 (H) × 108 (D)mm (1.89" × 3.94" × 4.25") (excluding knob bolt)
- **Weight:** 210g (0.46 lb)

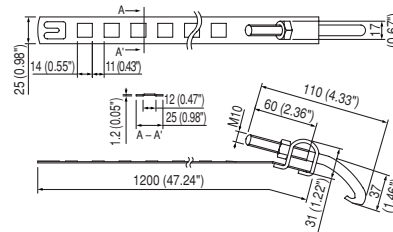


POLE MOUNT BRACKET



YS-60B

- **Applicable Pole:** Approx. ø90 (ø3.5") to ø340 (ø13.4") mm
- **Finish:** Electroless zinc-plated
- **Weight:** 360g (0.79lb.) (per band)
- **Product Composition:** Mounting band x 2



* When protection against falls is required:
Fit the sliding bracket directly to the partition board using screws. Note that the fixing screws are not supplied.